

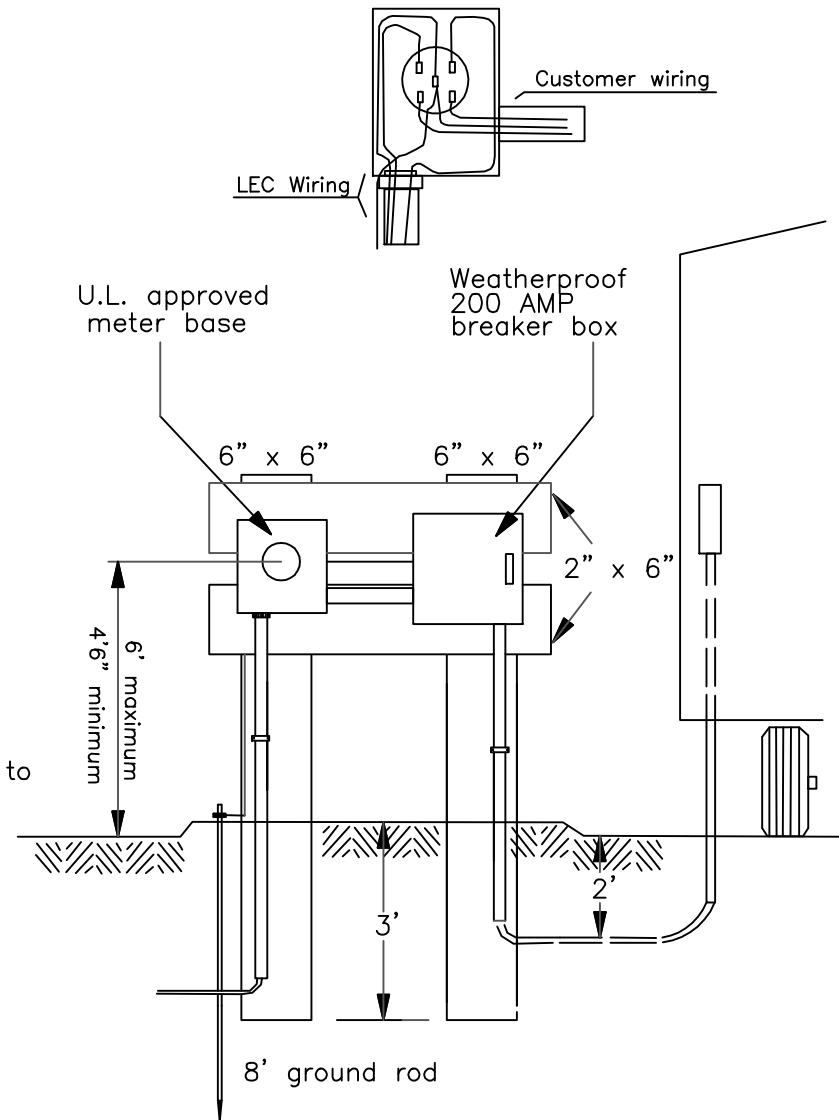
## **TO BE FURNISHED AND INSTALLED BY CUSTOMER**

1. U.L. approved underground meterbase of appropriate size.
2. Closure plate for meterbase.
3. Weatherproof enclosure for circuit breaker with cover.
4. 5/8" x 8' galvanized or copper coated ground rod with U.L. approved ground clamp.
5. Number 6 copper ground wire attached to meter base and ground rod.
6. Load side connectors for meter base.
7. (2) 6" x 6" treated timber poles with 2" x 6" back boards.
8. Customer's wire system (4 wire).
9. Address or lot number to be permanently marked on the inside and outside of the meter socket cover.

## **NOTES:**

1. Meter location must be spotted by LEC personel prior to installation.
2. Underground service to a mobile home will be determined on the basis of the spotted meter location and proximity to existing LEC facilities.
3. Service entrance minimum wire size as follows:  
100 AMP – 1/0 Aluminum or #2 Copper  
200 AMP – 4/0 Aluminum or 2/0 Copper
4. 6" x 6" timbers treated with less than 0.6 lbs./cu. ft. of preservative are not recommended for long term contact with the ground. The owner is responsible for the maintenance of these timbers.
5. Check local codes for all other applicable requirements

METERBASE WITH BREAKER BOX



\* Pole must be properly tamped and secure.  
DO NOT POUR CONCRETE